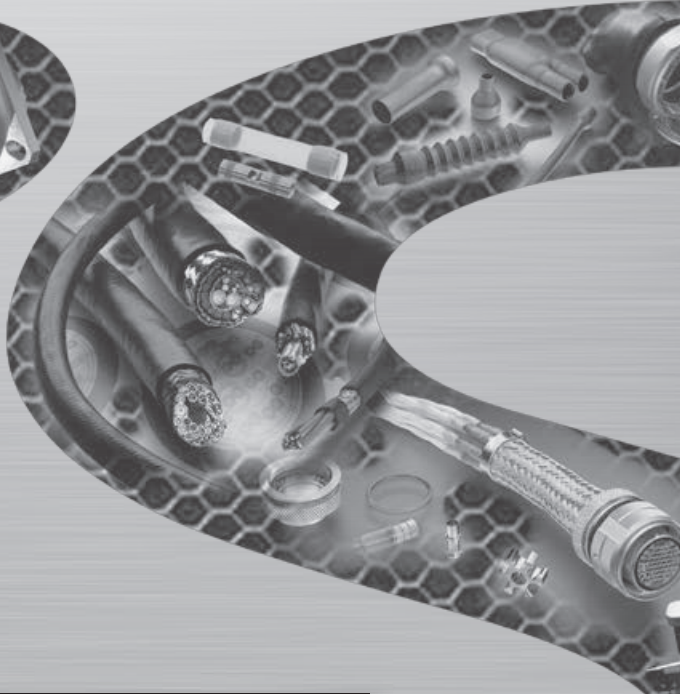
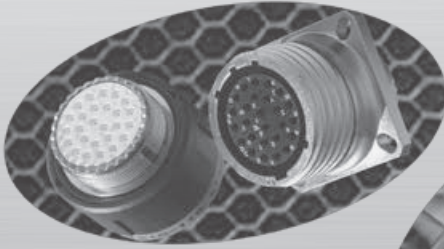


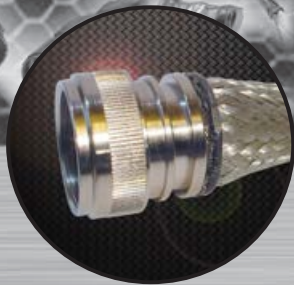
# *iS* Rayfast



## **Adaptors & Assemblies**

Sealing and Strain Relief

The correct backshell for the job



## INTRODUCTION

### Comprehensive range of **CONNECTOR ADAPTORS, ACCESSORIES and BACKSHELL ASSEMBLIES**

### High performance sealing and strain relief.

For all your connection requirements, we have the solutions, offering an extensive range of adaptors, assemblies and connector accessory products from world leading manufacturers.

#### Connector Adaptors

For high performance sealing and strain relief, we offer a variety of adaptors for applications in many industries, including Aerospace, Defence, Marine and Mass Transit.

Available as;

- Braided Adaptors
- Solid Adaptors
- Spin-Coupling Adaptors
- Tinel-Lock Adaptors
- Bandstrap Adaptors

These adaptors are;

- Available in many configurations to match applications.
- Easy to install
- Ideal for high reliability applications
- Kitted for customer convenience

#### Backshell Assemblies

We stock a comprehensive range of KTKK assemblies designed for the defence and marine market places. KTKK's are available with Rayaten® screened moulded parts to suit a wide range of connectors. The KTKK and TCFS product families come with the added advantage of pre-installed adhesives, which can drastically reduce the installation time and cost of harness building.



**SELECTION GUIDES**

.....	Definitions	page 4
.....	Key types of adaptors	page 5
.....	Selecting the material and finish	page 6
.....	Determining the entry size	page 7
.....	Roll back repair	page 8

**ADAPTOR PRODUCTS**

.....	Solid Adaptors	page 9
.....	Spin-Coupling Adaptors	page 10
.....	Shielded Adaptors	page 11
.....	<b>TXR</b> Tinel-Lock® Adaptors	page 12
.....	<b>BND</b> Bandstrap Adaptors	page 14
.....	<b>HEX</b> Hexashield® EMC protection adaptors	page 16

**BACKSHELL PRODUCTS**

.....	Introduction	page 18
.....	<b>KTKK</b> Adaptor Assemblies	page 19
.....	<b>TCFS</b> and <b>TCFR</b> Feedthrough Assemblies	page 22

# Definitions

## Introduction

For high performance sealing and strain relief, offering the perfect solution for harsh environment wiring applications. IS-Rayfast offers a variety of adapters for applications in many industries, including aerospace, marine and mass transit.

These adapters are:

- Available in many configurations to match applications
- Easy to install
- Ideal for high-reliability applications
- Kitted for customer convenience.

In this section we present an outline of Solid and Spin Coupling adaptors to more specialist Spin-Lock, Shielded and Tinel-Lock adapters, plus accessories.

## Adaptor Type

Covered in these pages are six adaptor types: Solid (sometimes called "fixed"), Spin-Coupling, Spin-Lock, Shielded, Tinel-Lock and Bandstrap. Each is designed to offer a suitable interface between a connector and a heatshrinkable moulded part.

## Adaptor Code

A numerical code is used to identify connectors with similar adaptor interfaces. This code is used to determine the adaptor family and part number.

## Adaptor Part Number

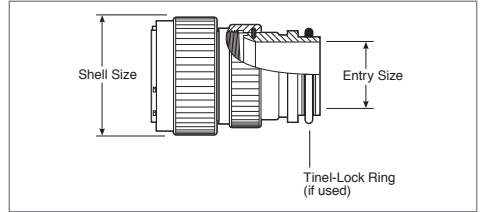
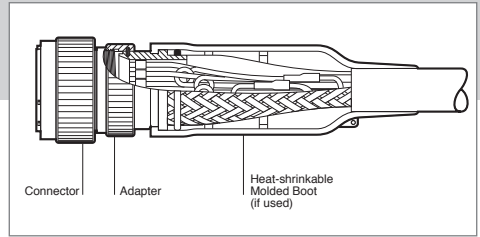
The part number is the sequence of numbers and letters that describes the adaptor family (or series), size, material, finish and modifications. The part numbering system is explained later in this section.

## Adaptor Family

Several families (or series) of adapter products are offered. Each adaptor part number begins with an alpha numeric prefix denoting the product family.

## Entry Size

Entry size is the diameter of the hole through which the cable enters into the adaptor. For example, the 08 entry is 12.7mm. Entry sizes are specified on shielded and Tinel-Lock adapters only.



## Ring Designator

This is a two-letter code that is part of each Tinel-Lock adapter part number. It specifies the size of the Tinel-Lock ring suited to specific types of cable braid.

## Shell Size

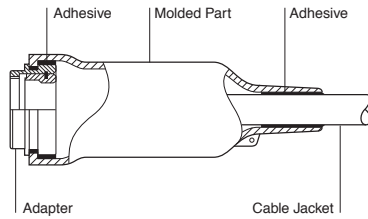
This is the size of a connector as specified by the connector manufacturer. It is normally a two-digit number between 08 and 24, although certain connectors are obtainable in either larger or smaller sizes and some use letter codes.

## Order Number

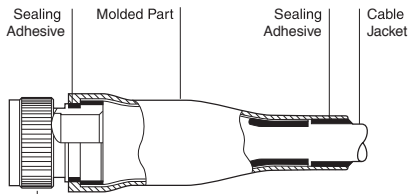
This is a two-digit number that specifies the size of the adaptor that will mate to the corresponding shell size of a connector. The order number is frequently the same as the connector shell size, but should be checked by reference to the appropriate product page(s) in this catalogue.

For further information or assistance with your specific requirements, please contact us.

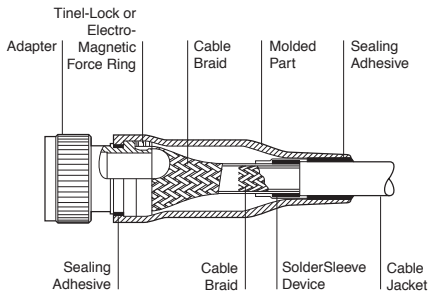
# Key Types of Adaptors



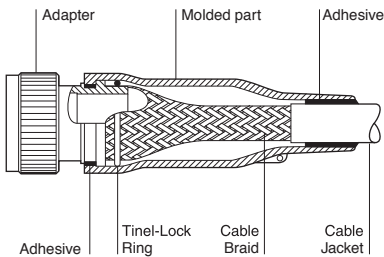
Solid Adaptors (Fixed)



Spin-Coupling Adaptors



Shielded Adaptors



Tinel-Lock Adaptors

## Introduction

Several types adaptors for unshielded and shielded termination systems are available. The choice is largely dependent upon the screening level required and the braid termination method. The four principal adaptor types are:

- Solid (fixed)
- Spin-Coupling
- Shielded
- Tinel-Lock

## Solid Adaptors (Fixed)

Designed for use where no access is required; for example, when potting is necessary or a lower space profile is needed. These adaptors have a boot groove to accommodate a lipped heat-shrinkable boot. Repair cannot be made without removing the boot.

## Spin-Coupling Adaptors

Have a rotatable coupling nut and a grooved body, designed to accommodate lipped type heat shrinkable boots. Spin-couplings with an appropriate moulded part are used for environmental protection and strain relief of unshielded cable terminations. Additionally cable repairs can be made without damaging the boot.

## Shielded Adaptors

These are essentially spin-coupling adaptors with a short length of tubular braided shield attached to the rear. The tinned copper wire braid can be pulled down onto a wide range of cable diameters, allowing a standard entry size to be used with most cable sizes. The shield can be terminated to the cable braid using a SolderSleeve device, which provides screen continuity through to the connector.

## Tinel-Lock Adaptors

This termination system consists of a modified spin-coupling adaptor with a Tinel-Lock ring. The Tinel-Lock ring is made from a special shape memory metal that shrinks uniformly when heated. The Tinel-Lock ring is used to terminate copper cable braid directly onto the rear of the adaptor. The adaptor entry size and ring designator must be selected to suit the cable diameter and braid type. The resulting 360° termination withstands severe shock, vibration, temperature cycling and corrosion.

# Selecting Material and Finish

To ensure optimum compatibility, select the adaptor material and finish to match those of the connector, using the tables below.

Modern circular connectors are manufactured from aluminium with a black zinc nickel Cadmium free plating and are RoHS compliant.

## Material Codes

Material Description	Material Code Solid, Spin-Coupling & Shielded Adaptors	Tinel-Lock Adaptors	Typical Applications
Aluminium alloy	19	A	Standard material for normal applications
Stainless steel	62	S	Corrosion-resistant and high-temperature (firewall) applications.
Nickel aluminium bronze	01	B	Exposed marine environments

Other materials available on request.

## Finish Codes

Finish Description	Colour	Finish Code	Typical Applications
Cadmium, per SAE AMS-QQ-P-416, Type II, Class 3. Over electroless nickel (500 hr salt spray).	Olive drab	B	Corrosion resistance for exposed environments.
Electroless nickel per SAE AMS-C-26074, Class 4, Grade B.	Bright Silver	C	High conductivity for optimum screening performance.
Anodised, hard, per MIL-A-8625, Type III, Class 2	Black	G	Non-conductive finish for aluminium adaptors.
Passivated, per SAE AMS-QQ-P-35 or MIL-S-5002	-	J	Surface treatment for corrosion resistant steel.
Zinc Cobalt over Electroless Nickel	Olive Drab	U	Marine applications and RoHS compliant
Unplated, shotblast - Glass Bead	-	W	Non reflective finish for nickel aluminium bronze adaptors.
Zinc Nickel per ASTM B841	Black	Z	Cadmium free plating for Military ground systems. RoHS compliant

Other finishes available on request.

## Determining the Entry Size

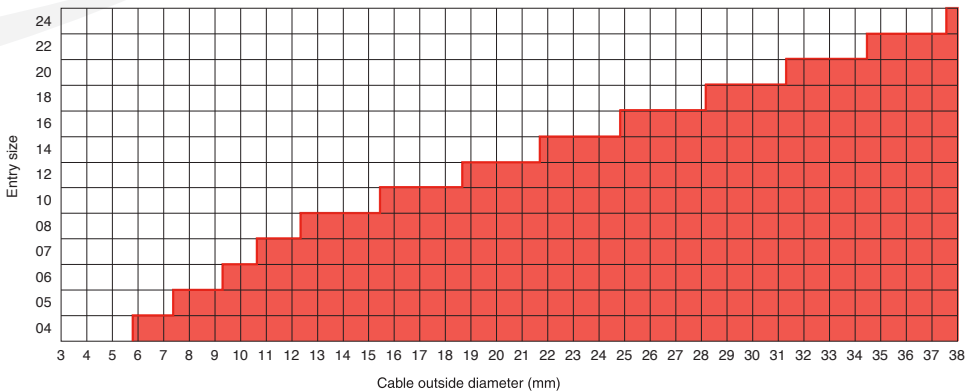
Once you have the wire bundle size, use the chart below to select entry size. Chart shows the min. entry sizes for cables from 3 to 38 mm in diameter. In other words, the white spaces on the chart represent all of the cable outside diameters each entry size will fit.

Follow these steps:

- Find the cable diameter on the chart.
- Please note the lowest entry size that will fit the cable diameter.

If the adaptor is shielded or has a Tinel-Lock ring, there are additional considerations, which are noted below.

For further information or assistance on selecting the correct entry size or constructing your required adaptor part number, please contact us.



## Shielded Adaptors

The extreme flexibility of the braid on these adaptors accommodates a large range of cable diameters. It is therefore recommended that the standard entry size for any given adaptor part number be specified as indicated on the relevant data sheet. Nonstandard entry sizes are available on special order. Use the selection chart above to ensure that the standard entry size will pass over the jacketed cable diameter.

For more information on tubular braiding for electrical EMI/EMC screening please refer to Protective Sleeving section and products such as Raybraid®

## Tinel-Lock Adapters

With Tinel-Lock adapters, the cable braid must be opened up to fit onto the outside diameter of the adapter entry. For optimum performance, select the smallest entry size that will pass over the jacketed cable diameter. Repair of the connector will be easier using the boot and shield rollback if a slightly larger than minimum entry size is used.

The selection chart above shows the minimum entry sizes for cable diameters in the range of 3 mm to 38 mm. This will ensure that the jacketed cable passes through the adaptor for easy assembly. It should be checked to be sure the braid will open sufficiently to fit the entry size selected and to ensure that the braid and boot can be rolled back.

For more information on Tinel-Lock rings please see later in this section.

# Roll Back Repair

## Roll-back Repair with Adaptors

More than 85 percent of cable repairs are made within 75 mm of the connectors, usually because of a broken pin or wire. By reheating the heatshrinkable boot and unscrewing the adapter coupling nut, the boot can be “rolled back”, providing access to the rear of the connector for repair.

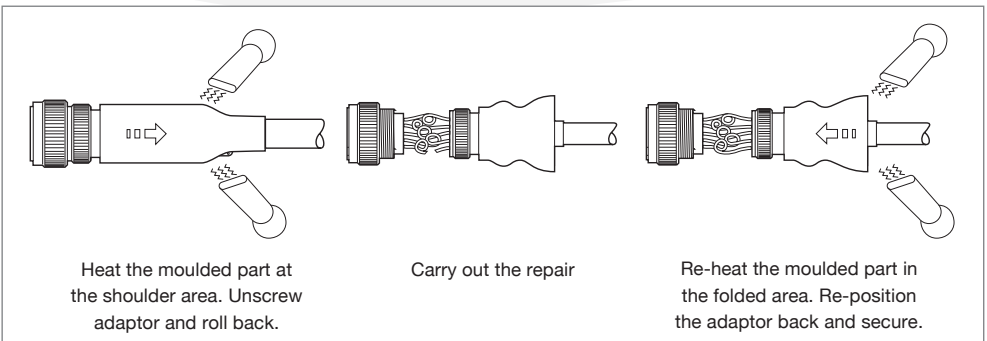
This technique is applicable to spin-coupling, shielded and Tinel-Lock adaptors, (providing there are wire loops, the broken pin or wire can be repaired using this technique). For further information a code of practice guide is available on request.

Illustration below helps to show how this is achieved.

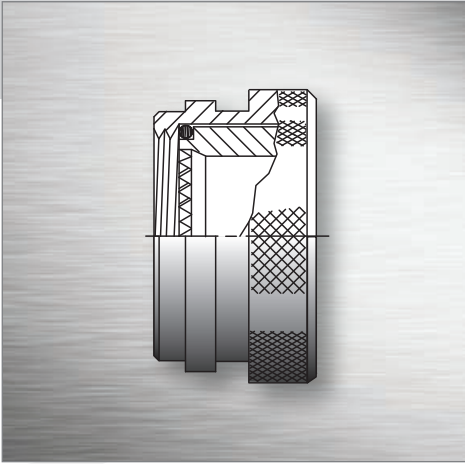
## Let us Help you

For your connector adaptors or backshell assemblies, please contact us with the following information where applicable.

- Adaptor type
- Connector part number or specification.
- Connector required or the manufacturer.
- Connector shell size
- Connector material and plating (this may be in the part number).
- Wire bundle diameter and cable jacket diameter.
- Entry size
- Angle of adaptor, or range required.
- Type of cable screen (e.g. size and number of strands, single or double layer).







Solid adaptors are designed for use where no access is required, for example when potting is necessary or a lower space profile is required.

These adaptors have a boot groove to accommodate lipped heat-shrinkable moulded parts. For more information please refer to moulded part section of this catalogue.

**218M5** Adaptor family  
**Code 18** MIL-C-5015 (MS3100)

**203M6** Adaptor family  
**Code 21** MIL-C-26482 Series I

**209M3** Adaptor family  
**Code 40** MIL-C-38999 Series III & IV.

**202M1** Adaptor family  
**Code 41** MIL-C-38999 Series I & II.

**201M9** Adaptor family  
**Code 54** MIL-C-26482 Series II;  
 MIL-C-5015 (MS3400)

**225M6** Adaptor family  
**Code 76** Patt 603 and BS9522 N0001

The above adaptor family designations are for the most common applications, for others not listed here please contact us.

### Selection Table

Order No.	Shell Size		Entry Ø mm
	Ind. Ref.	Mil. Ref.	
08	9	A	6.35
10	11	B	9.32
12	12	C	12.70
14	15	D	15.88
16	17	E	19.05
18	19	F	20.62
20	21	G	23.80
22	23	H	26.97
24	25	J	30.18

Entry Ø sizes are nominal (based on those for the code 40 adaptor family), actual size may differ subject to adaptor family designation selected.

**209M3 16 - 19 B**

### PART NUMBER EXAMPLE

**Finish Code:** See earlier in this section

**Material Code:** See earlier in this section

**Manufacturers Prefix:** Code 18 only

**Order Number Ref:** See selection table above

**Adaptor Family designation:** See this page

# Spin-Coupling Adaptors

## Part Numbering

Spin-coupling adaptors have a rotatable coupling nut and a grooved body designed to accommodate lipped-type heat-shrinkable boots. Spin-couplings with an appropriate moulded part are used for environmental protection and strain relief of unscreened cable terminations. Cable repairs can be made without damaging the boot.

Using the part numbering elements below construct your part number, or contact us for details.

**218M6** Adaptor family  
**Code 18 MIL-C-5015 (MS3100)**

**203M9** Adaptor family  
**Code 21 MIL-C-26482 Series I**

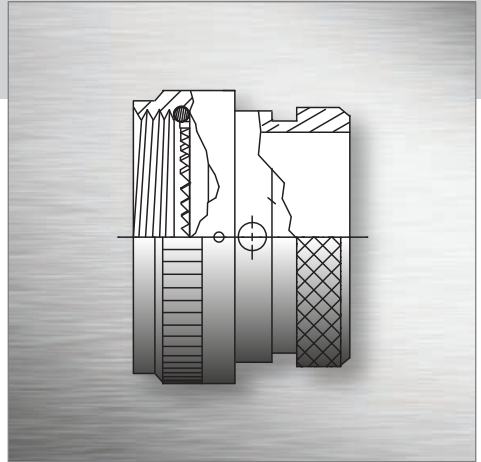
**209M4** Adaptor family  
**Code 40 MIL-C-38999 Series III & IV.**

**202M2** Adaptor family  
**Code 41 MIL-C-38999 Series I & II.**

**201M1** Adaptor family  
**Code 54 MIL-C-26482 Series II;**  
**MIL-C-5015 (MS3400)**

**225M5 -** Adaptor family  
**Code 76 Patt 603 and BS9522 N0001**

The above adaptor family designations are for the most common applications, for others not listed here please contact us.



## Selection Table

Order No.	Shell Size		Entry Ø mm
	Ind. Ref.	Mil. Ref.	
<b>08</b>	9	A	6.35
<b>10</b>	11	B	9.52
<b>12</b>	12	C	12.70
<b>14</b>	15	D	15.75
<b>16</b>	17	E	18.92
<b>18</b>	19	F	20.62
<b>20</b>	21	G	23.80
<b>22</b>	23	H	26.97
<b>24</b>	25	J	29.85

Entry Ø sizes are nominal (based on those for the code 40 adaptor family), actual size may differ subject to adaptor family designation selected.



## PART NUMBER EXAMPLE

**Finish Code:** See earlier in this section

**Material Code:** See earlier in this section

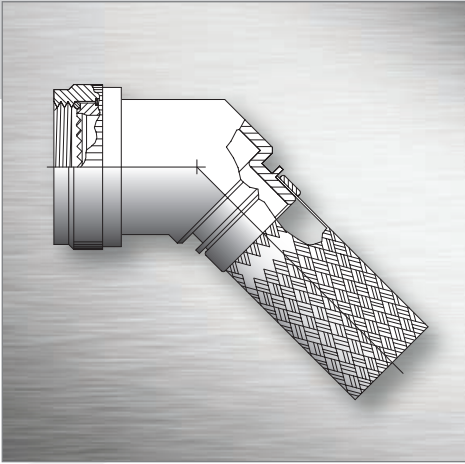
**Manufacturer Prefix:** Code 18 only

**Order Number Ref:** See selection table above

**Adaptor Family designation:** See this page

# Shielded Adaptors

## Part Numbering



Shielded spin adaptors include tubular braid attached to the rear of the adaptor, that accommodates a range of cable diameters. This allows a standard entry size to be used with most cable sizes and can be terminated to the cable braid using a SolderSleeve® device.

Using the part numbering elements below construct your part number, or contact us for details.

**218M7** Straight adaptor family  
**218M8** 45° adaptor family  
**218M9** 90° adaptor family  
**Code 18** MIL-C-5015 (MS3100)

**206M0** Straight adaptor family  
**206M1** 45° adaptor family  
**206M2** 90° adaptor family  
**Code 21** MIL-C-26482 Series I

**208M7** Straight adaptor family  
**208M8** 45° adaptor family  
**208M9** 90° adaptor family  
**Code 40** MIL-C-38999 Series III & IV.

**204M0** Straight adaptor family  
**204M1** 45° adaptor family  
**204M2** 90° adaptor family  
**Code 41** MIL-C-38999 Series I & II.

**203M0** Straight adaptor family  
**203M1** 45° adaptor family  
**203M2** 90° adaptor family  
**Code 54** MIL-C-26482 Series II;  
MIL-C-5015 (MS3400)

### Selection Table

Ord. No.	Shell Size		Entry* Size	Entry Ø mm
	Ind. Ref.	Mil. Ref.		
<b>08</b>	9	A	04	6.35
<b>10</b>	11	B	07	11.09
<b>12</b>	12	C	09	12.70
<b>14</b>	15	D	10	15.87
<b>16</b>	17	E	12	19.05
<b>18</b>	19	F	14	22.23
<b>20</b>	21	G	16	25.40
<b>22</b>	23	H	18	28.57
<b>24</b>	25	J	20	31.75

Entry Ø sizes are nominal (based on those for the code 40 adaptor family), actual size may differ subject to adaptor family designation selected. \* Denotes the maximum entry size permissible for given shell.  
Standard braid length is 150mm, longer available.

**208M7 16 - 19 B 10**

### PART NUMBER EXAMPLE

**Entry Size:** Contact us for details

**Finish Code:** See earlier in this section

**Material Code:** See earlier in this section

**Manufacturer Prefix:** Code 18 only

**Order Number Ref:** See selection table above

**Adaptor Family designation:** See this page

# Tinel-Lock® Adaptors

## TXR Series

### Part Numbering

A modified spin-coupling adaptor with a Tinel-Lock ring that is made from a special shape memory metal that shrinks uniformly when heated. This adaptor is used to terminate copper cable braid directly onto the rear of the shell. The resulting 360° termination withstands severe shock, vibration, temperature cycling, corrosion and provides excellent screening continuity.

Using the part numbering elements below construct your part number, or contact us for details.

**TXR18** Straight adaptor family

**Code 18** MIL-C-5015 (MS3100)

**TXR21** Straight adaptor family

**Code 21** MIL-C-26482 Series I

**TXR40** Straight adaptor family

**Code 40** MIL-C-38999 Series III & IV.

**TXR41** Straight adaptor family

**Code 41** MIL-C-38999 Series I & II.

**TXR54** Straight adaptor family

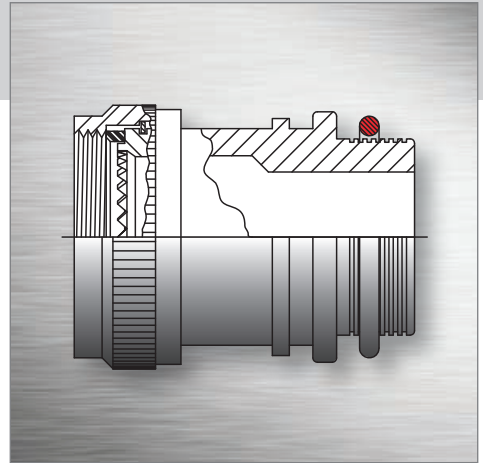
**Code 54** MIL-C-26482 Series II; MIL-C-5015

**TXR76** Straight adaptor family

**Code 76** Patt 603 and BS9522 N0001

The above adaptor family designations are for the most common applications, for others not listed here please contact us.

**TXR40 A Z 00 - 16 10 AI**



### Selection Table

Ord. No.	Shell Size		Entry* Size	Entry Ø mm
	Ind. Ref.	Mil. Ref.		
08	9	A	04	6.35
10	11	B	07	11.09
12	13	C	08	12.70
14	15	D	10	15.87
16	17	E	12	19.05
18	19	F	14	22.23
20	21	G	16	25.40
22	23	H	18	28.57
24	25	J	20	31.75

Entry Ø sizes are nominal (based on those for the code 40 adaptor family), actual size may differ subject to adaptor family designation selected. \* Denotes the maximum entry size permissible for given shell.

### PART NUMBER EXAMPLE

**Ring Designator:** AI, BI or CI see opposite page

**Entry Size:** See table above or contact us

**Order Number Ref:** See selection table above

**Angle:** 00 = straight; 45 = 45°; 90 = 90°

**Finish Code:** See earlier in this section

**Material Code:** See earlier in this section

**Adaptor Family designation:** See this page

# Tinel-Lock® Ring

TR and SETR Series

Part Numbering



The Tinel Lock ring is made from a special shape memory metal that shrinks uniformly when heated and is used to terminate copper metal braid directly onto the rear of an adaptor.

## Key Features

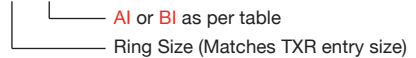
- Low profile, buckle free termination.
- One piece construction
- Operating Range, -65°C to 200°C
- Can be installed in seconds.

Available with the Tinel-Lock Adaptor on the opposite page as part of the assembly, but also available separately as described on this page.

## Ring Designator Selection Table

Description	Part Ref.
Single layer 36 AWG braid	<b>AI</b>
Single layer 34 AWG braid	<b>AI</b>
Single layer 32 AWG braid	<b>AI</b>
Single layer 30 AWG braid	<b>BI</b>
Double layer 36 AWG braid	<b>BI</b>
Double layer 34 AWG braid	<b>BI</b>
Double layer 32 AWG braid	<b>CI</b>

## TR XX XX



The outside surface of the ring is marked with two stripes of thermochromic paint which change colour when appropriate installation temperature reached.

'AI' Rings are identified by the absence of coloured a dot, whilst 'BI' rings are marked with a **RED** dot and 'CI' rings are marked with a **BLUE** dot.

## SETR Side Entry Tinel-Lock Ring Series - Repair and Retro-fit Option

The 'SETR' side entry is a split version of the standard 'TR' Tinel-Lock ring, but allows the joining of harness shield to a customer built connector backshell or other

termination device, without re-positioning the ring on the harness (side entry). This ring can also be removed easily.

## SETR Part Numbering Information

Part Number	SETR Dimensions (mm)				
	Int.Ø Latched Min.		Int.Ø Max Free Recovered		Jaw Opening
	AI	BI	AI	BI	Nominal
SETR-04AI or BI	10.08	10.57	9.63	10.11	6.35
SETR-06AI or BI	13.28	13.92	12.67	13.28	9.65
SETR-08AI or BI	16.51	17.02	15.75	16.23	12.7
SETR-10AI or BI	19.86	20.37	18.90	19.38	15.24
SETR-12AI or BI	23.16	23.65	22.02	22.50	19.05
SETR-14AI or BI	26.42	26.92	25.10	25.58	22.35
SETR-16AI or BI	29.74	30.25	28.22	28.68	25.40
SETR-18AI or BI	33.05	33.53	31.34	31.80	28.70

© 2015 IS-Group all rights reserved no unauthorised reproduction

# Bandstrap Adaptors

## BND Series

### Part Numbering

Bandstrap adaptors feature a corrosion-resistant steel band to terminate the cable screen. The resulting 360° termination creates an effective electrical connection, providing screen continuity between braid and adaptor. The terminated cable can then be protected and sealed using a heat-shrinkable moulded part, providing strain relief to the cable.

Using the part numbering elements below construct your part number, or contact us for details.

**BND18** Straight adaptor family

**Code 18** MIL-C-5015 (MS3100)

**BND21** Straight adaptor family

**Code 21** MIL-C-26482 Series I

**BND40** Straight adaptor family

**Code 40** MIL-C-38999 Series III & IV.

**BND41** Straight adaptor family

**Code 41** MIL-C-38999 Series I & II.

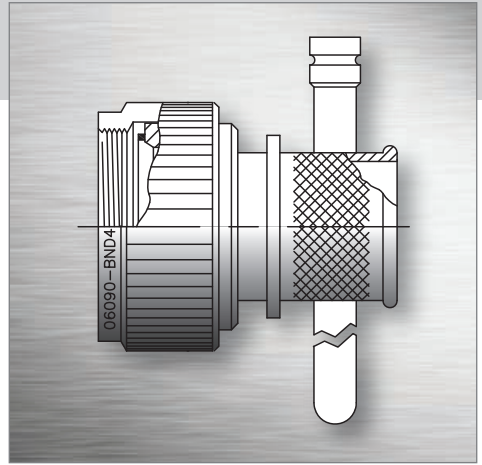
**BND54** Straight adaptor family

**Code 54** MIL-C-26482 Series II;  
MIL-C-5015 (MS3400)

Bandstrap tool available **TIE-DEX-II-TOOL**, for all adaptor options available, please contact us.

The above adaptor family designations are for the most common applications, for others not listed here please contact us.

**BND40 A Z 00 - 16 10 A**



### Selection Table

Ord. No.	Shell Size		Entry* Size	Entry Ø mm
	Ind. Ref.	Mil. Ref.		
<b>08</b>	9	A	04	6.35
<b>10</b>	11	B	07	11.12
<b>12</b>	12	C	09	14.30
<b>14</b>	15	D	10	15.88
<b>16</b>	17	E	12	19.05
<b>18</b>	19	F	14	22.23
<b>20</b>	21	G	16	25.40
<b>22</b>	23	H	18	28.58
<b>24</b>	25	J	20	31.10

Entry Ø sizes are nominal (based on those for the code 40 adaptor family), actual size may differ subject to adaptor family designation selected. \* Denotes the maximum entry size permissible for given shell.

### PART NUMBER EXAMPLE

**Band Code:** B European; or A Americas & Asia

**Entry Size:** See table above or contact us

**Order Number Ref:** See selection table above

**Angle:** 00 = straight; 45 = 45°; 90 = 90°

**Finish Code:** See earlier in this section

**Material Code:** See earlier in this section

**Adaptor Family designation:** See this page

# Bandstrap Bands

**BND Series**

**Part Numbering**



The BND Bandstrap clamping strap is used throughout industry for terminating screens onto connectors and adaptors, offering;

- Low profile design
- Light weight construction
- Space reduction
- Ease of installation

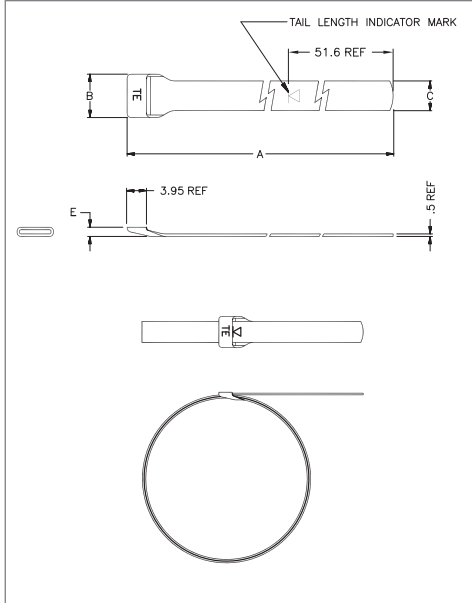
Also available supplied in a pre-coiled form, please contact us for more information.

Supplied with the 'Bandstrap Adaptor on the previous page as part of the assembly, but also available seperately as described on this page.

## BND Band Strap Series - One Step

Part Number	Dimensions					Pre-Coiled
	Entry Sizes	A Nom.	B Nom.	C Nom.	E Nom.	Diameter
<b>BND-0812S</b>	03 to 14	206.3	5.0	3.2	1.3	21.8
<b>BND-1425S</b>	04 to 24	362.1	8.9	6.4	3.3	44.5
<b>BND-1825S</b>	26 to 34	457.2				63.5

All dimensions in millimetres.



Notes;

- The band straps are constructed from 300 series passivated corrosion resisting steel.
- Recommended instalation tools:  
 BND-0812X: **TIE-DEX-II-A30199**  
 BND-1425X, BND-1825X: **TIE-DEX-II-A40199**

# HEX Hexashield

## EMC Protection Part Numbering

### Superior EMC/EMI Shielding Performance

Hexashield is designed to provide optimum EMC protection solutions for both commercial and military applications, representing a significant improvement over pigtail termination methods. Providing 360° EMC shielding on the termination area of each individual cable, HexaShield adapters provide outstanding shielding effectiveness.

Using the part numbering elements below, construct your part number, or contact us for details.

**HEX18** Adaptor family

**Code 18** MIL-C-5015 (MS3100)

**HEX21** Adaptor family

**Code 21** MIL-C-26482 Series I

**HEX40** Adaptor family

**Code 40** MIL-C-38999 Series III & IV.

**HEX41** Adaptor family

**Code 41** MIL-C-38999 Series I & II.

**HEX54** Adaptor family

**Code 54** MIL-C-26482 Series II;  
MIL-C-5015 (MS3400)

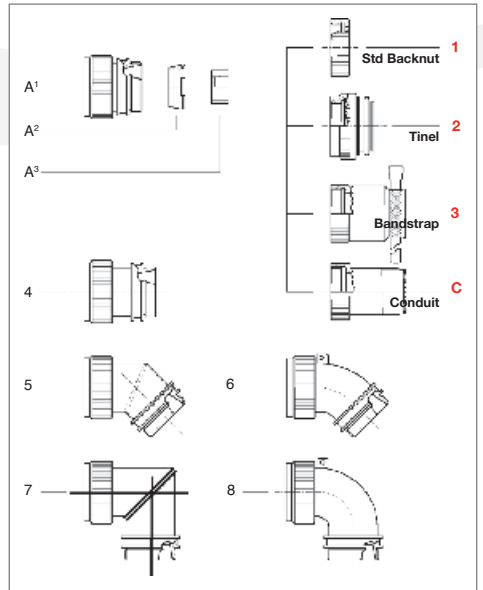
### Features and benefits

- Simple installation
- Easy re-entry
- Simplified maintenance repair
- Excellent mechanical and environmental resistance
- Efficient strain relief
- Flexibility
- Versatility

### EMC Performance

- Withstands 10-kA peak current lightning transients of SAE AEL-87-3 rev. B.
- Outperforms traditional pigtail termination, especially in HIRF performance.

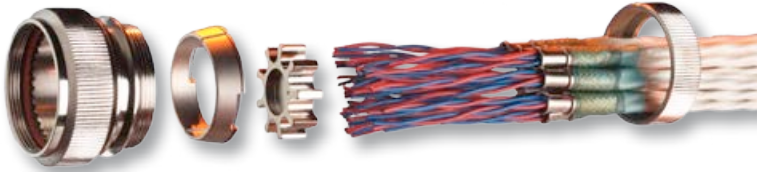
Hexashield adaptors are also available for ARINC 600 connectors, please contact us for details.



### Kit Description

- A¹ Straight adaptor
- A² Conic ring
- A³ Star: Plain (Std), Drilled (Option), Split (Option)
- 4 Straight adaptor, longer body
- 1 Standard backnut
- 2 Tinel adaptor
- 3 Bandstrap adaptor
- C Conduit adaptor
- 5 45° adaptor, welded
- 6 45° adaptor, swept
- 7 90° adaptor, welded
- 8 90° adaptor, swept





### HEX40 L-A B-00 S-11-A2-1-DS

### PART NUMBER EXAMPLE

**Drilled Star Option:** Contact us

**Type of Backnut:** 1, 2, 3 or C see illustration

**Ferrules:** Number of ferrules that can be fitted. These need to be ordered separately see info below.

**Shell Size Code:** (09,11,13,15,17,19,21,23,25) according to appropriate code to MIL spec

**Version:** S Swept version (items 6 and 8) Omit if standard welded version required.

**Angle:** 00 = Straight; 45 = 45°; 90 = 90°

**Plating:** B = Cadmium, C = Electroless Nickel

**Material:** A Aluminium alloy

**Body Type:** L Long body (see item 4), blank if std body

**Adaptor Family designation:** See opposite page

### Ferrule Quantity by Shell Size

Shell Size		Ferrule Quantity	
Ref.	Mil.	Std.	Opt.
09	A	1	-
11	B	2	-
13	C	3	-
15	D	5	-
17	E	6	7
19	F	7	-
21	G	9	11
23	H	10	13
25	J	12	17

Table based on 38999 Series III and IV

### Ferrule Kit - Part Numbers

**HET-A-02X** for small-size cable with SolderShield terminator

**HET-A-03X** for connection of unshielded cables ferrules with heat-shrinkable tubing (no shield).

**HET-A-04X** for large size cables with SolderShield terminator.

#### Type of plating

B = Cadmium plated

C = Electroless nickel

**HET07-AX** ferrule - solid blank for use when a HET-A is not needed

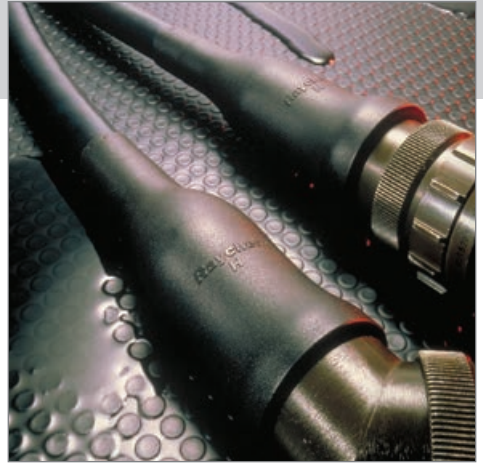
# Backshell Assemblies

## KTKK and TCFS

### Introduction

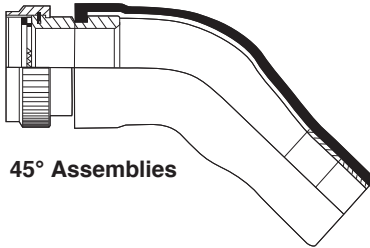
Our extensive range of backshell assemblies and kits fit a wide variety of Marine and Defence applications. Both KTKK and TCFS/R assemblies are available as either unscreened or screened with Rayaten screened moulded parts, to suit a wide range of connectors.

KTKK and TCFS/R product families come with the added advantage of pre-installed adhesives, which can drastically reduce the installation time and cost of harness building.

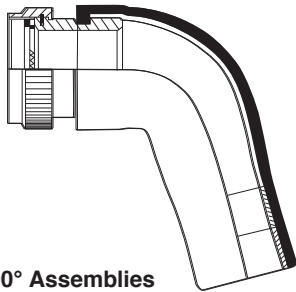




**Straight Assemblies**



**45° Assemblies**



**90° Assemblies**

KTKK cable assemblies are one-part assemblies for screened and unshielded cables. Constructed from heat-shrinkable screened moulded parts and connector adapters, the assembly consists of parts already well proven in harsh military environments.

Installation is simply effected by coupling the adapter to the connector and shrinking the rear of the moulded part onto the cable with a hot air gun.

The moulded part has a hot-melt adhesive pre-installed to provide a bond between the cable jacket and the moulded part.

When used in conjunction with shielded (screened) cables, the assembly provides electrical continuity between the cable shield and the connector with Rayaten moulded parts.

Rayaten moulded parts are shielded, heat-shrinkable parts providing shielding levels better than 80 dB at 100 MHz.

Full instructions for assembling are supplied with each KTKK. For more information on the materials and adhesives please refer to moulded parts and Adhesives sections of this catalogue.

For more information please contact us.

### Boot Materials Available

Material		Specification
-25 fluid-resistant modified elastomer	-25S fluid-resistant modified elastomer, shielded	RW-2077
-100 low fire hazard material	-100S low fire hazard material, shielded*	RW-2078

\* Please note that the selection tables on the following tables only include for 100S Low Fire Hazard Material

### Pre-Coated Adhesives Available

Material	Coatings, unshielded	Coatings, shielded
-25	S1048 (/86) high-temperature hot melt adhesive	-
-25S	-	S1030 (/180) low fire hazard hot melt adhesive
-100	S1030 (/180) low fire hazard hot melt adhesive	-
-100S*	-	S1275 conductive adhesive for use with Rayaten moulded parts

\* Please note that the selection tables on the following tables only include for S1275 adhesive.

# KTKK Series Assemblies

Screened Low Fire Hazard Material (100S)

Part Numbering

## Code 40 • MIL-DTL-38999 Series III & IV Connectors - Aluminium with Cadmium Plate

Shell Size	Straight Assemblies		45° Assemblies		90° Assemblies	
	Part Number	Cable Range	Part Number	Cable Range	Part Number	Cable Range
08	KTKK 0670	5.0 - 7.0	KTKK 0660	5.0 - 7.0	-	-
10	KTKK 0671	6.0 - 9.0	KTKK 0661	6.0 - 9.0	KTKK 1181	6.0 - 9.0
12	KTKK 0672	7.2 - 11.0	KTKK 0662	7.2 - 11.0	KTKK 1182	7.2 - 11.0
14	KTKK 0673	7.2 - 11.0	KTKK 0663	7.2 - 11.0	KTKK 1183	7.2 - 11.0
16	KTKK 0674	8.5 - 17.0	KTKK 0664	8.5 - 17.0	KTKK 1184	8.5 - 17.0
18	KTKK 0675	8.5 - 17.0	KTKK 0665	8.5 - 17.0	KTKK 1185	8.5 - 17.0
20	KTKK 0676	10.0 - 21.0	KTKK 0666	10.0 - 21.0	KTKK 1186	10.0 - 21.0
22	KTKK 0677	10.0 - 21.0	KTKK 0667	10.0 - 21.0	KTKK 1187	10.0 - 21.0
24	KTKK 0678	15.8 - 29.0	KTKK 0668	15.8 - 29.0	KTKK 1188	15.8 - 29.0

## Code 40 • MIL-DTL-38999 Series III & IV Connectors - Nickel Aluminium Bronze

Shell Size	Straight Assemblies		45° Assemblies		90° Assemblies	
	Part Number	Cable Range	Part Number	Cable Range	Part Number	Cable Range
08	KTKK 2610	5.0 - 7.0	KTKK 3130	5.0 - 7.0	-	-
10	KTKK 2611	6.0 - 9.0	KTKK 3131	6.0 - 9.0	KTKK 2621	6.0 - 9.0
12	KTKK 2612	7.2 - 11.0	KTKK 3132	7.2 - 11.0	KTKK 2622	7.2 - 11.0
14	KTKK 2613	7.2 - 11.0	KTKK 3133	7.2 - 11.0	KTKK 2623	7.2 - 11.0
16	KTKK 2614	8.5 - 17.0	KTKK 3134	8.5 - 17.0	KTKK 2624	8.5 - 17.0
18	KTKK 2615	8.5 - 17.0	KTKK 3135	8.5 - 17.0	KTKK 2625	8.5 - 17.0
20	KTKK 2616	10.0 - 21.0	KTKK 3136	10.0 - 21.0	KTKK 2626	10.0 - 21.0
22	KTKK 2617	10.0 - 21.0	KTKK 3137	10.0 - 21.0	KTKK 2627	10.0 - 21.0
24	KTKK 2618	15.8 - 29.0	KTKK 3138	15.8 - 29.0	KTKK 2628	15.8 - 29.0

## Code 41 • MIL-DTL-38999 Series I & II Connectors - Aluminium with Cadmium Plate

Shell Size	Straight Assemblies		45° Assemblies		90° Assemblies	
	Part Number	Cable Range	Part Number	Cable Range	Part Number	Cable Range
08	KTKK 0640	5.0 - 7.0	KTKK 0630	5.0 - 7.0	-	-
10	KTKK 0641	6.0 - 9.0	KTKK 0631	6.0 - 9.0	KTKK 0721	6.0 - 9.0
12	KTKK 0642	7.2 - 11.0	KTKK 0632	7.2 - 11.0	KTKK 0722	7.2 - 11.0
14	KTKK 0643	7.2 - 11.0	KTKK 0633	7.2 - 11.0	KTKK 0723	7.2 - 11.0
16	KTKK 0644	8.5 - 17.0	KTKK 0634	8.5 - 17.0	KTKK 0724	8.5 - 17.0
18	KTKK 0645	8.5 - 17.0	KTKK 0635	8.5 - 17.0	KTKK 0725	8.5 - 17.0
20	KTKK 0646	10.0 - 21.0	KTKK 0636	10.0 - 21.0	KTKK 0726	10.0 - 21.0
22	KTKK 0647	10.0 - 21.0	KTKK 0637	10.0 - 21.0	KTKK 0727	10.0 - 21.0
24	KTKK 0648	15.8 - 29.0	KTKK 0638	15.8 - 29.0	KTKK 0728	15.8 - 29.0

Please note that the above tables represent the most common variants, other versions available on request.

© 2015 IS-Group all rights reserved no unauthorised reproduction

# KTKK Series Assemblies

Screened Low Fire Hazard Material (100S)  
Part Numbering

## Code 54 • Pattern 602 Connectors - Aluminium with Cadmium Plate

Shell Size	Straight Assemblies		45° Assemblies		90° Assemblies	
	Part Number	Cable Range	Part Number	Cable Range	Part Number	Cable Range
08	KTKK 0612	5.0 - 7.0	KTKK 0780	5.0 - 7.0	-	-
10	KTKK 0613	6.0 - 9.0	KTKK 0781	6.0 - 9.0	KTKK 1241	6.0 - 9.0
12	KTKK 0614	7.2 - 11.0	KTKK 0782	7.2 - 11.0	KTKK 1242	7.2 - 11.0
14	KTKK 0615	7.2 - 11.0	KTKK 0783	7.2 - 11.0	KTKK 1243	7.2 - 11.0
16	KTKK 0616	8.5 - 17.0	KTKK 0784	8.5 - 17.0	KTKK 1244	8.5 - 17.0
18	KTKK 0617	8.5 - 17.0	KTKK 0785	8.5 - 17.0	KTKK 1245	8.5 - 17.0
20	KTKK 0618	10.0 - 21.0	KTKK 0786	10.0 - 21.0	KTKK 1246	10.0 - 21.0
22	KTKK 0619	10.0 - 21.0	KTKK 0787	10.0 - 21.0	KTKK 1247	10.0 - 21.0
24	KTKK 0620	15.8 - 29.0	KTKK 0788	15.8 - 29.0	KTKK 1248	15.8 - 29.0

## Code 76 • Pattern 105 Connectors - Aluminium with Cadmium Plate

Shell Size	Straight Assemblies		45° Assemblies		90° Assemblies	
	Part Number	Cable Range	Part Number	Cable Range	Part Number	Cable Range
08	KTKK 0465	5.0 - 7.0	KTKK 0603	5.0 - 7.0	-	-
10	KTKK 0466	6.0 - 9.0	KTKK 0604	6.0 - 9.0	KTKK 1251	6.0 - 9.0
12	KTKK 0467	7.2 - 11.0	KTKK 0605	7.2 - 11.0	KTKK 1252	7.2 - 11.0
14	KTKK 0468	7.2 - 11.0	KTKK 0606	7.2 - 11.0	KTKK 1253	7.2 - 11.0
16	KTKK 0469	8.5 - 17.0	KTKK 0607	8.5 - 17.0	KTKK 1254	8.5 - 17.0
18	KTKK 0470	8.5 - 17.0	KTKK 0608	8.5 - 17.0	KTKK 1255	8.5 - 17.0
20	KTKK 0471	10.0 - 21.0	KTKK 0609	10.0 - 21.0	KTKK 1256	10.0 - 21.0
22	KTKK 0472	10.0 - 21.0	KTKK 0610	10.0 - 21.0	KTKK 1257	10.0 - 21.0
24	KTKK 0473	15.8 - 29.0	KTKK 0611	15.8 - 29.0	KTKK 1258	15.8 - 29.0

## Code 79 • Pattern 608 Connectors - Nickel Aluminium Bronze

Shell Size	Straight Assemblies		45° Assemblies		90° Assemblies	
	Part Number	Cable Range	Part Number	Cable Range	Part Number	Cable Range
08	KTKK 0444	5.0 - 7.0	KTKK 0580	5.0 - 7.0	-	-
10	KTKK 0445	6.0 - 9.0	KTKK 0581	6.0 - 9.0	KTKK 1021	6.0 - 9.0
12	KTKK 0446	7.2 - 11.0	KTKK 0582	7.2 - 11.0	KTKK 1022	7.2 - 11.0
14	KTKK 0447	7.2 - 11.0	KTKK 0583	7.2 - 11.0	KTKK 1023	7.2 - 11.0
16	KTKK 0448	8.5 - 17.0	KTKK 0584	8.5 - 17.0	KTKK 1024	8.5 - 17.0
18	KTKK 0449	8.5 - 17.0	KTKK 0585	8.5 - 17.0	KTKK 1025	8.5 - 17.0
20	KTKK 0450	10.0 - 21.0	KTKK 0586	10.0 - 21.0	KTKK 1026	10.0 - 21.0
22	KTKK 0451	10.0 - 21.0	KTKK 0587	10.0 - 21.0	KTKK 1027	10.0 - 21.0
24	KTKK 0452	15.8 - 29.0	KTKK 0588	15.8 - 29.0	KTKK 1028	15.8 - 29.0

Please note that the above tables represent the most common variants, other versions available on request.

© 2015 IS-Group all rights reserved no unauthorised reproduction

# TCFS & TCFR Series

## Cable Feedthrough Assemblies

### Product Family Overview

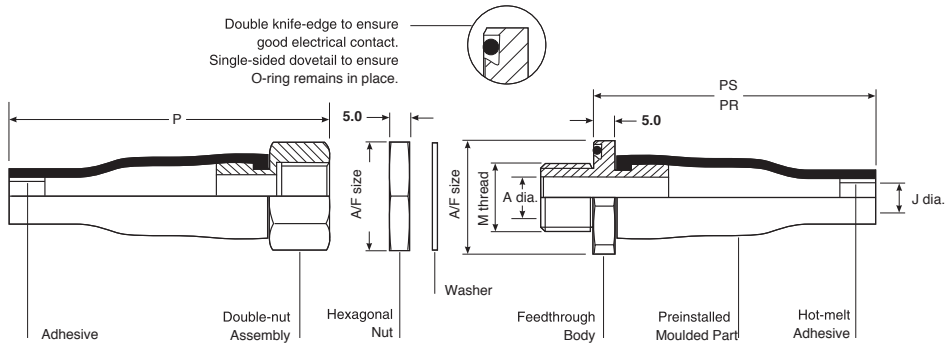
Provides environmental sealing and screen continuity to a bulkhead as a cable passes through. The assembly consists of a specifically designed locknut and O-ring seal, onto the rear of which is pre-installed a heat-shrinkable moulded part. Feedthrough installation is simply effected by tightening the locknut on the rear of the bulkhead, which compresses the O-ring and ensures that a knife-edge provides electrical contact between the assembly and bulkhead.

These moulded parts are screened providing shielding levels better than 80 dB at 100 MHz.



### Key Features

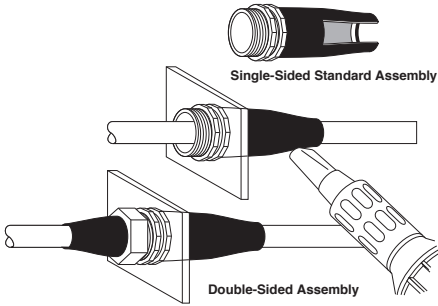
- Screened or unscreened cables
- One-piece part
- Each size covers a wide cable range
- Light weight
- Single- or double-sided assembly



### Product Dimensions

Feedthrough Size		J Diameter		M Thread	A Dia.	A/F		P ±10%			Hole Size
		Sup.	Rec.			Max.	Body	Nut	P	PS	
TCFS-12	TCFR-12	6.5	5.0	M12 x 1.5	7.5	24	17	52	50	43	13.0
TCFS-16	TCFR-16	8.5	6.0	M16 x 1.5	10.2	29	22	57	65	48	17.0
TCFS-20	TCFR-20	10.5	7.2	M20 x 1.5	14.0	34	27	61	77	52	21.0
TCFS-24	TCFR-24	16.5	8.5	M24 x 1.5	19.2	38	30	74	90	65	25.0
TCFS-30	TCFR-30	20.5	10.0	M30 x 1.5	24.2	48	36	73	115	64	31.0
TCFS-36	TCFR-36	28.5	15.8	M36 x 1.5	30.2	52	41	104	140	95	37.0
-	TCFR-48	35.5	n/a	M48 x 1.5	40.2	67	55	144	110	135	50.0

\*PR dimension for shorter TCFR Series  
Dimensions in millimetres unless otherwise stated.



**TCFS 12 62C - 0 20 100 A H**

**PART NUMBER EXAMPLE**

**Adhesive System :**

- E** Epoxy (please contact us)
- H** S1030 hot melt
- W** S1048 hot melt

**Moulded part Type:**

- A** Straight unscreened
- B** 90° unscreened
- C** Straight screened
- D** 45° screened
- E** 90° screened (16 to 36 only)

**Moulding Part Material :**

- 25** Semi-rigid elastomer, or **25S** if screened
- 100** Low fire hazard, or **100S** if screened

**Thread Length:**

- 20** Standard length (mm), also available in 5mm increments, minimum 15mm

**Assembly Modification Code :**

- 0** Standard assembly
- 1** Double sided assembly
- 2** Same as 1 but with potting ports
- 3** Locknut

**Feedthrough Material/Finish:**

See material and finish code tables earlier in this section.

**Size :** See dimensions table left

**Part :**

- TCFS** Full length moulded part
- TCFR** Shortened moulded part (straight only)



## Specialist Distributor of High Performance Electrical Interconnect & Electro-Mechanical Components and Services

Working closely with suppliers and manufacturers worldwide we offer a comprehensive range of high performance components and associated products for the Aerospace, Defence, Energy, Industrial, Medical and Motorsport markets. Our experienced team includes specialists by sector and by product, to provide leading customer service. With immediate access to in excess of 8,000 product lines from an extensive “off the shelf” stock profile for next day delivery as standard, along with flexible MOQ’s and pack sizes.

We are fully committed to complying with the latest quality approvals for the customers and markets we serve, including ISO9001:2008 and AS9120:2005.

Tel: +44(0) 1793 616700 • Fax: +44(0) 1793 644304  
uksales@is-rayfast.com • export@is-rayfast.com

**www.is-rayfast.com**

2 Lydiard Fields, Swindon, Wiltshire, SN5 8UB, UK

Authorised distributors for:



Some of the images and illustrations used in this publication are used with permission and or under open licence agreement, attributed to various sources including: TE Connectivity. For full details please contact us. All information contained in this publication is believed to be reliable. We advise however that customers should separately evaluate the suitability of our products for their particular application. IS-Group give no guarantee in respect of the accuracy or sufficiency of the information presented and disclaim any liability regarding its use. Our responsibilities are only those listed in our Standard Terms and Conditions of Sale for these products. In no instance will we be liable for any eventual, indirect, or consequential damage or damages from the sale, resale, transfer, use or misuse of the product. Design and content is © 2015 all rights reserved.